 Please read and comply with these original instructions prior to the initial operation of your appliance and store them for later use or subsequent owners.

Contents

Safety instructions	EN	1
Function	EN	2
Proper use	EN	2
Environmental protection	EN	2
Control elements	EN	3
Before Startup	EN	4
Operation	EN	5
Transport	EN	7
Shutting down	EN	8
Storage	EN	8
Care and maintenance	EN	8
Disposal	EN	10
Faults	EN	10
Accessories	EN	11
Technical specifications	EN	12
EU Declaration of Conformity . .	EN	13
Warranty	EN	13
Spare parts	EN	13

Safety instructions

Before using the appliance for the first time, read and observe these operating instructions and the accompanying brochure: Safety information for brush cleaning units, 5.956-251.0.

WARNING

Do not use the appliance on inclines.

The appliance may only be operated when the container and all lids are closed.

Hazard levels

DANGER

Pointer to immediate danger, which leads to severe injuries or death.

WARNING

Pointer to a possibly dangerous situation, which can lead to severe injuries or death.

CAUTION

Pointer to a possibly dangerous situation, which can lead to minor injuries.

ATTENTION

Pointer to a possibly dangerous situation, which can lead to property damage.

Information on battery (accumulator) and charger

Lithium-ion batteries are installed in the appliance. These are subject to special criteria. The removal and the installation as well as the examination of defective batteries may only be performed by the Kärcher aftersales service or a specialist. Information on storage and transport can be obtained from your Kärcher aftersales service.

DANGER

- *Alterations and modifications on the appliance are prohibited.*
- **Do not open the battery**, as there is a risk of an electrical shock; also, irritating or caustic vapors can escape.
- **Do not expose the battery to direct sunlight, heat or fire**, there is a risk of explosion.
- *Do not operate the charger in explosive environment.*
- *Ensure sufficient ventilation during the charging process.*
- *Do not use the charger if dirty or wet.*
- *Do not work with open flames, generate sparks or smoke in the vicinity of a battery or a battery charging room. Danger of explosion.*

WARNING

- *Check the appliance and the power cable for damage prior to every use. Do not use damaged appliances and have damaged parts repaired by specialists only.*
- *Keep children away from batteries and charger.*
- *Do not charge damaged batteries. Have damaged batteries replaced by the Kärcher aftersales service.*
- *Do not discard defective batteries in the domestic waste, inform Kärcher aftersales service.*
- *Avoid contact with liquids oozing out of defective battery packs. Rinse thor-*

oughly if you accidentally come in contact with the fluid. Also consult a doctor if the fluid comes in contact with your eyes.

⚠ CAUTION

- These operating instructions must be observed unconditionally. Observe recommendations of the lawmaker for handling batteries.
- The mains voltage must correspond with the voltage indicated on the type plate of the appliance.
- Use the charger only to charge approved battery packs.
- The accumulator may only be operated with this appliance. It is dangerous and prohibited to use it for other purposes.

Safety installations

If the safety switch is released, the brush drive shuts off.

Function

The scrubbing vacuum cleaner is used for the wet cleaning of level floors.

It can be easily adjusted to the cleaning task by setting the water quantity.

A working width of 450 mm and a capacity of 22 l in the fresh and waste water tank each enable effective cleaning with long working times.

The battery can be charged on a 230V power outlet by means of the integrated charger.

Proper use

Use this appliance only as directed in these operating instructions.

- This appliance is suited for the commercial use, e.g. in hotels, schools, hospitals, factories, shops, offices, and rental companies.
- The appliance should only be used for cleaning level floors that are not affected by moisture.
- This appliance is intended for inside use.
- The appliance is not suited for the cleaning of frozen grounds (e.g. in cold stores).
- The appliance may only be equipped with original accessories and spare parts.

Environmental protection



The packaging material can be recycled. Please do not place the packaging into the ordinary refuse for disposal, but arrange for the proper recycling.



Old appliances contain valuable materials that can be recycled. Please arrange for the proper recycling of old appliances. Please dispose your old appliances using appropriate collection systems.

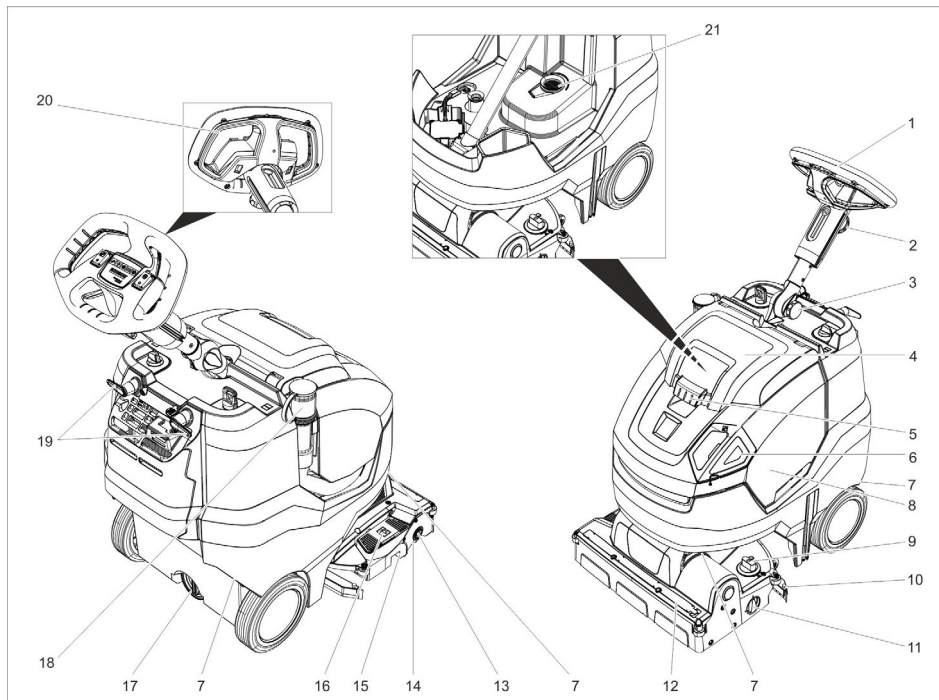
Electrical and electronic devices often contain components which could potentially pose a danger to human health and the environment if handled or disposed of incorrectly. However, these components are necessary for the proper operation of the device. Devices marked with this symbol must not be disposed of with regular household rubbish.

Information on ingredients (REACH)

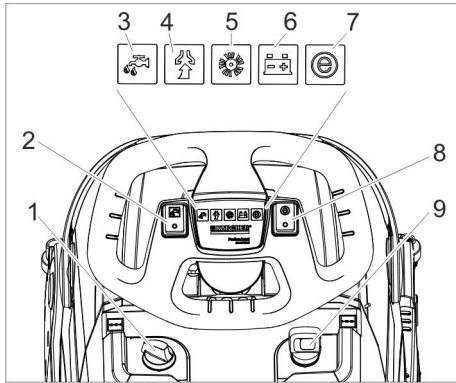
The latest information on ingredients can be found under:

www.kaercher.de/REACH

Control elements








- | | |
|--|---|
| 1 Steering wheel | 18 Drain hose for wastewater with dosing unit |
| 2 Star knob, height adjustment of the steering wheel | 19 Cable hook, rotating |
| 3 Star knob, transport position of the steering wheel | 20 Safety button |
| 4 Cover dirt water reservoir | 21 Fluff filter |
| 5 Unlocking device, cover waste water tank | |
| 6 Fresh water tank dosing lid | |
| 7 Transport handle to lift the appliance | |
| 8 waste water tank | |
| 9 Rotating handle for brush contact pressure
(1=min, 4=max) | |
| 10 Vacuum bar | |
| 11 Transport chassis rotary knob | |
| 12 Water distribution bar | |
| 13 Unlocking button for brush roller | |
| 14 Brush roller | |
| 15 Coarse dirt container | |
| 16 Vacuum bar lift pedal | |
| 17 Drain outlet fresh water tank | |



- 1 Dosage cleaning solution
- 2 Switch for detergent solution
- 3 Control lamp to apply detergent solution
- 4 Indicator lamp vacuuming
Green: Suction turbine in operation
Orange, flashing: Suction turbine overloaded
- 5 Indicator lamp brush drive
Green: Brush is rotating
Orange, flashing: Brush overloaded
- 6 Battery status display
- In operation:**
Green Battery charged
Orange: Battery almost empty
Red Appliance switches off: Load battery
- When charging the battery:**
Orange blinking: Battery is being charged.
Green: Charging is complete.
Red: Fault during charging process.
- 7 Indicator lamp Eco mode
Blue: Eco mode
Off: Full power
- 8 Switch Eco mode
- 9 Power switch

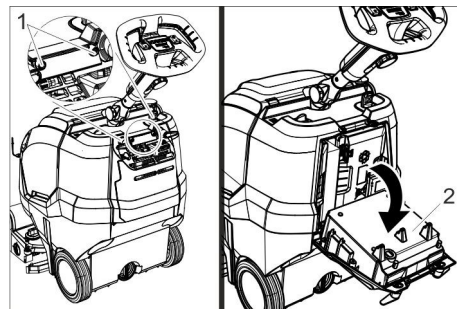
Symbols on the machine

	Fresh water filler neck
	Pedal suction bar

	Transport chassis rotary knob
	Guide for tie down strap during transport in vehicles
	Contact pressure of the roller brush

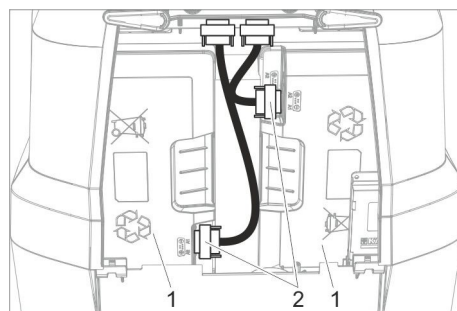
Before Startup

Connecting the battery



- 1 Screw
- 2 Charger

- ➔ Unscrew 2 screws.
- ➔ Swivel the charger down.



- 1 Battery
- 2 Plug

- ➔ Attach both plugs and tighten.

Charging battery

Note:

The device is equipped with a safety mechanism to prevent total discharge, i.e. when the permissible minimum capacity is reached, the machine will be shut off. The charging time takes approx. 4.5 hours. The charger automatically switches off the charging process.

If necessary, the appliance can be used again before the battery has been fully charged.

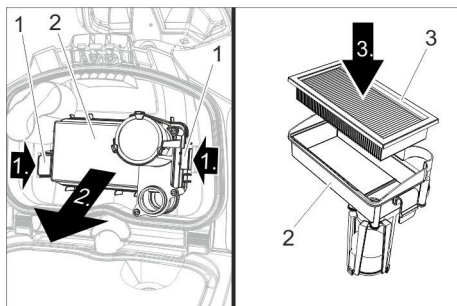
- Insert the mains plug into the socket.

Operation

- Release the star knob for the transport position.
- Straighten the steering column.
- Tighten the star handle.

Inserting the EPA filter (optional)

- Open the cover of the fresh water reservoir.



- 1 Locking
- 2 Filter casing
- 3 EPA filter

- Push in both locking mechanisms and remove the filter casing.
- Insert the EPA filter in the filter casing.
- Attach the filter casing on the cover of the waste water tank and engage the locking mechanism.
- Close the cover of the dirt water reservoir.

Filling in detergents

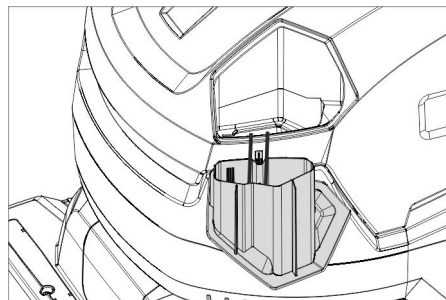
⚠ WARNING

Risk of damage. Only use the recommended detergents. With other detergents, the operator bears the increased risk regarding the operational safety, risk of accident and reduced service life of the appliance. Only use detergents that are free of solvents, hydrochloric acid and hydrofluoric acid. Follow the safety instructions for using detergents.

Note:

Do not use highly foaming detergents. Observe the dosing notes.

- Remove dosing lid of the fresh water tank.
- Fill in fresh water (maximum 50 °C). Use the filler hose (accessories) if needed.



- Add detergent using the dosing lid. One capful corresponds to a 1% application.

Recommended detergents:

Application	Detergent
Regular cleaning (even for floors sensitive to alkalies)	RM 745 RM 746
Basic cleaning (stripping) of alkali-resistant hard coatings	RM 752
Basic cleaning (stripping) linoleum	RM 754
Base cleaner, acidic	RM 751
Disinfection cleaning	RM 732

Detergents are available in specialised stores.

- Close the dosing lid of the fresh water reservoir.

Settings

- Release the star knob for the height adjustment of the steering wheel.
- Adjust the steering wheel to the desired height.
- Tighten the star handle.
- Adjust the dosing of the cleaning solution in accordance with the soiling and the type of the flooring material.
- Adjust the rotary handle of the brush contact pressure to the desired value. Only adjust the brush contact pressure when the cleaning head is raised.

Note:

If the appliance pulls forwards too strongly during operation, reduce the contact pressure.

- Bring the Eco mode switch into the desired position.

Normal operation: The appliance works at the maximum brush speed and the highest suction performance.

Eco: The appliance works at reduced brush speed and suction performance. This also reduces the energy consumption. The possible working time increases with one charging cycle.

Park support

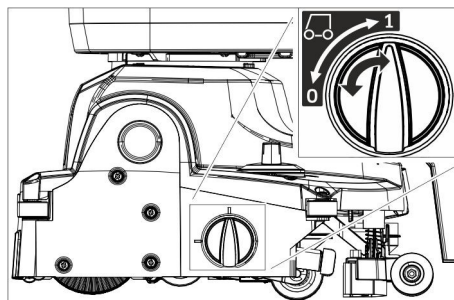
Lowering the park support

- Press the steering wheel downward so that the appliance lifts up towards the front. The park support swivels downwards.
- Release the steering wheel. The appliance is standing on the park support. The roller brush is unloaded and is protected from deforming.

Lifting the park support up

- Push the appliance forwards. The park support swivels upwards.

Transport chassis



- 0 Transport chassis retracted
- 1 Transport chassis extended

Extending the transport chassis

- Lower the park support.
- Turn the rotary knob to position 1 (transport chassis extended).

Retracting the transport chassis

- Lower the park support.
- Turn the rotary knob to position 0 (transport chassis retracted).

Cleaning

ATTENTION

Risk of damage to the floor covering. Do not operate the appliance on the spot.

Risk of damage. Lift the vacuum bar before pulling the appliance backwards over a longer distance.

- Retract the transport chassis.
- Set the appliance switch to "I".
- Switch on "Detergent" button.
- Push down the pedal of the suction bar lifting device at the back to lower the suction bar and start suction.
- Pull the safety switch towards the steering wheel, the brush drive, the application of the cleaning solution and suction are switched on (if preset).
- Push the appliance forward until the parking stand folds up and the cleaning head touches the ground.
- Move the appliance over the surface to be cleaned.

Note:

If the steering wheel is turned by 180°, the appliance also reverses.

Operations stand-by

Standby mode goes off if the appliance is not used for 15 minutes with the power switch on.

Restore standby mode:

- Set the appliance switch to "0".
- Wait for a while.
- Set the appliance switch to "I".

Shutting Down the Appliance

- Release the safety switch.
- Drive the appliance forward for another 1-2 m to draw off residual water.
- Push down the pedal of the vacuum bar lifting device at the front to raise the vacuum bar.

ATTENTION

Vacuum lips and brush can be deformed permanently. Always park the appliance with the parking stand folded out.

- Set the appliance switch to "0".
- Press the steering wheel downward so that the appliance lifts up towards the front.

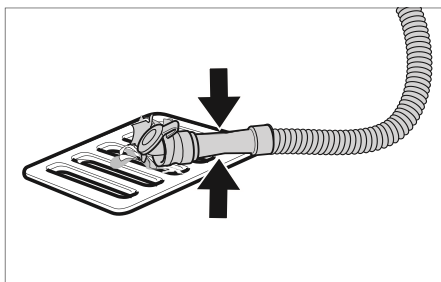
The park support swivels downwards.

Emptying the waste Water tank

⚠ CAUTION

Health hazard due to improperly disposed of waste water. Please observe the local provisions regarding the wastewater treatment.

- Retract the transport chassis.
- Lift the park support.
- Take the water discharge hose from the support and lower above a suited collection device.



- Crush or bend the dosing equipment.
- Open the lid of the dosing equipment.

- Drain off the dirt water - regulate the water quantity by pressing or bending.
- Rinse the dirt water reservoir with clear water.

Emptying the Fresh Water Tank

⚠ WARNING

Please observe the local provisions regarding the wastewater treatment.

- Unscrew the cover from the drain opening of the fresh water tank and let the cleaning solution drain.

Frost protection

In case of danger of frost:

- Empty the fresh and waste water tank.
- Store the appliance in a frost-protected room.

Folding down the steering column

To reduce the space requirements for transport and storage, the steering column can be folded down.

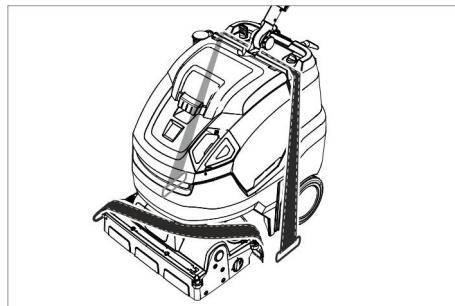
- Release the star knob for the transport position.
- Swivel the steering wheel forwards.
- Tighten the star handle.

Transport

⚠ CAUTION

Risk of personal injury or damage! Mind the weight of the appliance during transport.

- Remove the brush to avoid damage to the brushes.
- Lift the appliance using the transport handles.



- When transporting in vehicles, secure the appliance according to the guidelines from slipping and tipping over.

Shutting down

- Completely charge the battery prior to longer operational breaks extending over several weeks.
- Set the appliance switch to "0".

ATTENTION

Risk of damage to the battery due to total discharge.

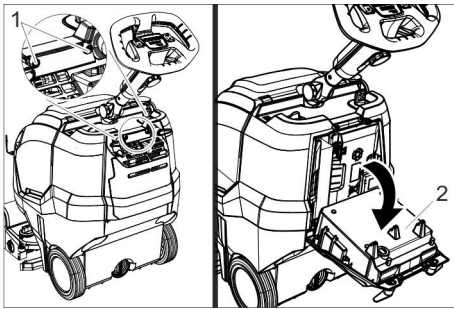
Always switch the power switch to "0" during operational breaks.

Additional for appliance with fleet

ATTENTION

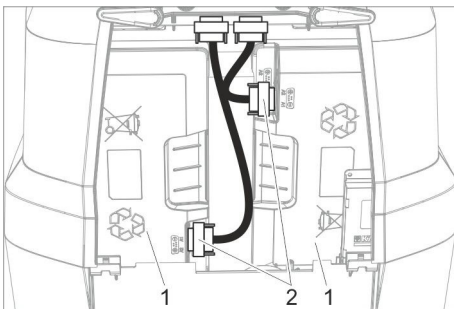
Risk of damage to the battery due to total discharge.

- Disconnect for operational breaks exceeding 4 months.



- 1 Screw
- 2 Charger

- Unscrew 2 screws.
- Swivel the charger down.



- 1 Battery
- 2 Plug

- Undo both plugs and disconnect.

Storage

⚠ CAUTION

Risk of personal injury or damage! Consider the weight of the appliance when storing it.

This appliance must only be stored in interior rooms.

Care and maintenance

⚠ DANGER

Risk of injury. Turn the appliance switch to "0" and pull the mains plug of the charger prior to performing any work on the appliance.

ATTENTION

Risk of damage for the appliance due to leaking water. Drain the wastewater and remaining fresh water prior to performing tasks on the appliance.

- Park the machine on an even surface.

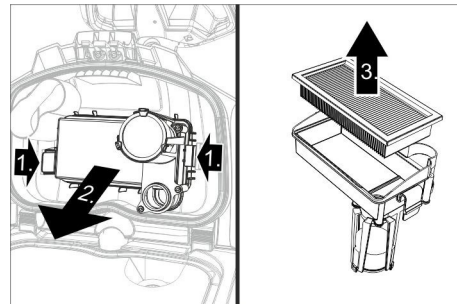
Maintenance schedule

After the work

ATTENTION

Risk of damage. Do not sluice the appliance with water and do not use aggressive detergents.

- Drain off dirt water.
- Open the cover of the fresh water reservoir.

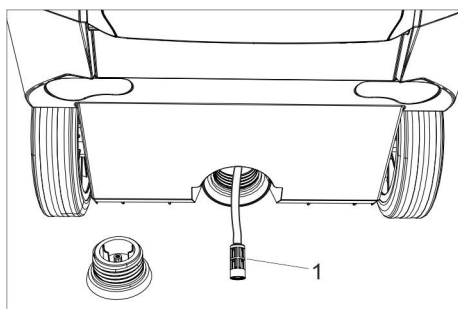


- Remove the EPA filter (optional) and allow it to dry outside of the appliance.
- Rinse the inside of the cover and the float with water.
- Rinse the waste water tank with clear water.

- Clean the vacuum bar.
- Remove bulk waste container and empty it.
- Clean the outside of the appliance with a damp cloth which has been soaked in mild detergent.
- Clean the vacuum lips, check for wear and replace them if required.
- Clean brush.
- Check the brush for wear and replace if required (see "Maintenance tasks").
- Charge battery if required.

Weekly

- Remove the water distribution bar on the cleaning head and clean the water channel.
- Clean the fluff filter.



1 Fresh water filter

- Unscrew the cover from the drain opening of the fresh water tank.
- Take out the fresh water filter and rinse with clean water.

Monthly

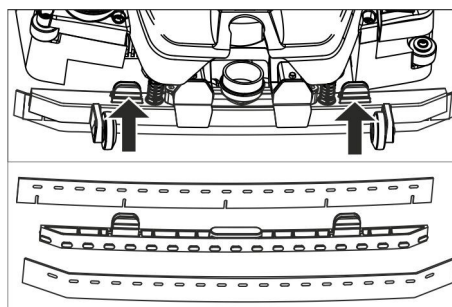
- Check the condition of the seals between waste water tank and cover, replace if required.

Yearly

- Have the prescribed inspection carried out by the customer service.

Maintenance Works

Replacing the suction lips



- Compress the fastening devices and pull the vacuum lips out of the vacuum bar towards the bottom.
- Remove the vacuum lips from the holder.

Note:

Thanks to the perforation pattern the vacuum lips cannot be mixed up. They cannot be turned and reinstalled.

- Replace vacuum lips.
- Insert the holder with the vacuum lips into the vacuum bar and snap into place.

Replacing the brush roller

⚠ WARNING

Risk of crushing due to the park support folding in during brush replacement. Turn the steering wheel 45° to the left before commencing brush replacement.

- Press the release button for the brush roller and swivel the brush roller toward the bottom and pull it off the driver.
- Place the new brush roller on the driver and lock into place on the opposite side.

Maintenance contract

To ensure a reliable operation of the appliance maintenance contracts can be concluded with the competent Kärcher sales office.

Disposal

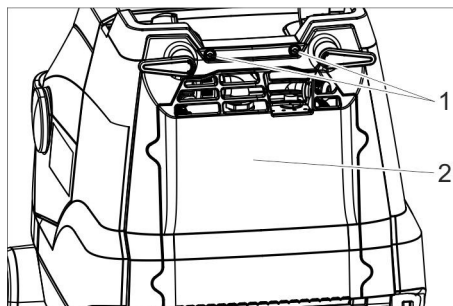
Removing the batteries

⚠ DANGER

The removal of the batteries may only be performed by Kärcher Customer Service or a specialist.

Classification as whether the batteries are damaged is done by an authorised Customer Service technician

The Chapter "Safety instructions" for handling accumulators must be observed unconditionally.



- 1 Screw
- 2 Cover
- ➔ Unscrew 2 screws.
- ➔ Swivel the lid downwards.
- ➔ Loosen and remove the battery plug.
- ➔ Remove the left-hand battery.
- ➔ Remove the right-hand battery.
- ➔ Dispose of the used batteries according to the local provisions.

Faults

⚠ DANGER

Risk of injury. Turn the appliance switch to "0" and pull the mains plug of the charger prior to performing any work on the appliance.

ATTENTION

Risk of damage for the appliance due to leaking water. Drain the wastewater and remaining fresh water prior to performing tasks on the appliance.

In case of faults that cannot be remedied using the table below please contact the customer service.

Faults with display

Display	Fault	Remedy
The brush drive indicator lamp blinking orange	Control is overheated	Switch off the power switch, wait a few minutes, switch on the power switch again.
	Brush is blocked.	Check if foreign matters are blocking the brush roller; remove foreign matter if required.
The suction indicator lamp blinking orange	Control is overheated	Switch off the power switch, wait a few minutes, switch on the power switch again.
Batter status display blinking red	Fault during charging process.	Disconnect the power cord plug of the charger. Wait for 10 seconds. Plug in the power cord plug. If the error message appears again: Call customer service.
Eco mode indicator lamp blinking blue	Battery capacity nearly exhausted, appliance working at reduced power.	Charge battery.

Faults without display

Fault	Remedy
Appliance cannot be started	Switch on the appliance switch, wait 3 seconds, check charge condition of the battery.
Insufficient water quantity	Check fresh water level, refill tank if necessary.
	Switch on "Detergent" button.
	Clean the fresh water filter.
	Remove the water distribution bar on the cleaning head and clean the water channel.
Insufficient vacuum performance	Lower the vacuum bar.
	Empty the waste water tank.
	Clean the seals between waste water tank and cover and check for tightness, replace if required.
	Clean the vacuum lips on the vacuum bar, turn or replace if required
	Check if the suction hose and vacuum bar are chocked, clean if required
	Check the suction hose for tightness; replace if required. EPA filter (optional) soiled, replace.
Insufficient cleaning result	Retract the transport chassis.
	Check/set the brush contact pressure.
	Check the brush type and the detergent for their suitability.
	Check the brushes for wear, replace if required.
Brush does not turn	Pull the safety switch towards the steering wheel.
	Check if foreign matters are blocking the brush roller; remove foreign matter if required.
	Switch off the switch for the brush drive, wait for a short period of time, switch the switch back on.

Accessories

The appliance can be equipped with various accessories depending on the cleaning task. Please request our catalogue or visit us on the Internet at www.kaercher.com.

Description	Part no.:	Description
Brush roller, white (soft)	4.762-405.0	For polishing floors.
Brush roller, red (medium, standard)	4.762-392.0	For cleaning slightly dirtied or sensitive floors.
Brush roller, green (hard)	4.762-407.0	For cleaning heavily dirtied floors.
Brush roller, orange (high/low)	4.762-406.0	For scrubbing structured floors (safety tiles, etc.).
Microfibre roller	4.037-093.0	Cleaning brush made of microfibres with especially high cleaning performance, especially for fine stone tiles.

Description	Part no.:	Description
Pad roller shaft	4.762-413.0	For intake of roller pads.
Roller pad, red (medium)	6.367-107.0	For cleaning slightly dirtied floors.
Roller pad, green (hard)	6.367-106.0	For cleaning normal to heavily dirtied floors.
Roller pad, yellow (soft)	6.367-105.0	For polishing floors.
Fill hose	6.680-124.0	For filling the fresh water tank
Suction lip kit	4.037-094.0	As replacement
EPA filter	6.414-631.0	

Technical specifications

Power		
Nominal voltage	V	25.2
Battery capacity	Ah (5h)	42
Battery type	--	Li-ion
Mean power consumption Power/Eco	W	650/350
Type of protection	--	IPX3
Protective class	--	1
Suction engine output	W	280
Brush engine output	W	185
Operating temperature range	°C	2...40
Max. water temperature	°C	50
Vacuuming		
Suction performance, air quantity Power/Eco	l/s	20/15
Suction performance, vacuum Power/Eco	kPa	8/5
Cleaning brushes		
Working width	mm	450
Brush diameter	mm	96
Brush speed Power/Eco	1/min	1050/750
Charger		
Voltage	V/Hz	220...240/50-60
Power Input	W	300
Dimensions and weights		
Theoretical surface cleaning performance	m ² /h	1800

Fresh/waste water tank volume	l	22
Permissible overall weight	kg	70
Transport weight	kg	48
Length x width x height (transport)	mm	970 x 530 x 1115 (780 x 530 x 815)
Values determined as per EN 60335-2-72		
Total oscillation value	m/s ²	<2.5
Uncertainty K	m/s ²	0.2
Sound pressure level L _{pA}	dB(A)	66.5
Uncertainty K _{pA}	dB(A)	2
Sound power level L _{WA} + Uncertainty K _{WA}	dB(A)	87

EU Declaration of Conformity

We hereby declare that the machine described below complies with the relevant basic safety and health requirements of the EU Directives, both in its basic design and construction as well as in the version put into circulation by us. This declaration shall cease to be valid if the machine is modified without our prior approval.

Product: Scrubbing vacuum cleaner
Type: 1.783-xxx

Relevant EU Directives

2006/42/EC (+2009/127/EC)
2014/30/EU


Applied harmonized standards


EN 60335-1
EN 60335-2-72
EN 60335-2-29
EN 55012: 2007 + A1: 2009
EN 55014-1: 2006+A1: 2009+A2: 2011
EN 55014-2: 2015
EN 61000-3-2: 2014
EN 61000-3-3: 2013
EN 61000-6-2: 2005
EN 62233: 2008

Applied national standards

-

The undersigned act on behalf and under the power of attorney of the company management.


H. Jenner
Chief Executive Officer


S. Reiser
Head of Approbation

Authorised Documentation Representative
S. Reiser

Alfred Kärcher GmbH Co. KG
Alfred-Kärcher-Str. 28 - 40
71364 Winnenden (Germany)
Phone: +49 7195 14-0
Fax: +49 7195 14-2212

Winnenden, 2016-04-20

Warranty

The warranty terms published by our competent sales company are applicable in each country. We will repair potential failures of your accessory within the warranty period free of charge, provided that such failure is caused by faulty material or defects in fabrication. In the event of a warranty claim please contact your dealer or the nearest authorized Customer Service center. Please submit the proof of purchase.

Spare parts

Only use original accessories and spare parts, they ensure the safe and trouble-free operation of the device.

For information about accessories and spare parts, please visit www.kaercher.com.